



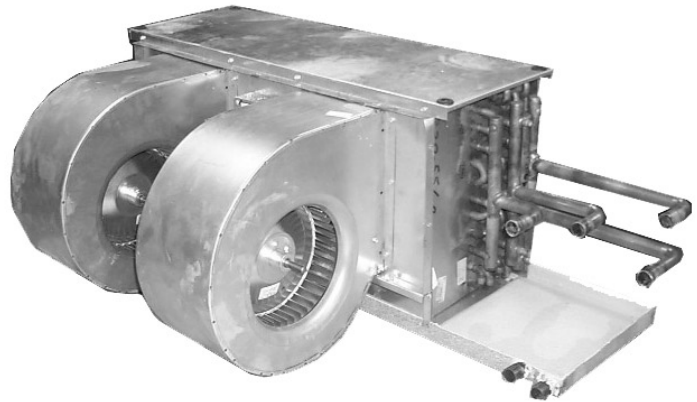
Product Specifications

Lo Boy Horizontal
Hydronic Fan Coils

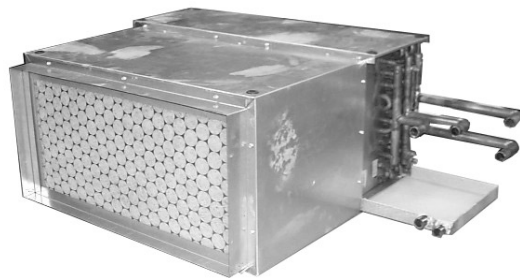
YHYB
YPHYB

500 THROUGH 2,000 CFM

Available in 3, 4, and 5 ton series



YHYB Series



YPHYB Series

Table of Contents

Cooling Data	2
Heating Data	3
Blower Data	4-5
AHYB Data	6
APHYB Data	7
Control Package	8
Guide Specifications	9
Valve Clusters	10

Product Specifications

 Lo Boy Horizontal
Hydronic Fan Coils

COOLING DATA
COOLING CAPACITY (1000 BTUH)
(Y)HYB-3 (3-Row Coil) All capacities are based on nominal CFM

MODEL (CFM)	45° ENTERING WATER									42° ENTERING WATER								
	GPM	P.D. (FT. WTR)	80° DB 67° WB			75° DB 63° WB			GPM	P.D. (FT. WTR)	80° DB 67° WB			75° DB 63° WB				
			TH	SH	TR	TH	SH	TR			TH	SH	TR	TH	SH	TR		
12YHYB-3 (1200)	5	2.6	30.1	24.2	12.0	23.0	21.4	9.2	6	3.6	35.5	26.2	11.8	27.1	23.0	9.0		
	7	4.7	34.5	25.8	10.0	26.4	22.7	7.5	8	6.0	39.3	27.6	9.8	30.0	24.1	7.5		
	9	7.4	37.3	26.9	8.3	28.5	23.5	6.3	10	9.0	41.7	28.5	8.3	31.8	24.8	6.4		
16YHYB-3 (1600)	6	1.8	37.6	31.4	12.5	32.5	32.5	10.8	7	2.4	44.1	33.8	12.6	33.7	29.8	9.6		
	9	3.7	44.9	34.1	10.0	34.3	30.0	7.6	10	4.5	50.9	36.3	10.2	38.9	31.8	7.8		
	12	6.3	49.4	35.8	8.2	37.8	31.3	6.3	13	7.3	55.1	37.9	8.5	42.1	33.0	6.5		
20YHYB-3 (2000)	8	2.1	57.7	39.5	11.9	35.0	35.0	8.5	10	3.2	57.5	43.1	11.5	43.9	37.9	8.8		
	11	3.8	54.8	42.1	10.0	41.9	37.1	7.6	13	5.2	63.5	45.3	9.8	48.5	39.6	7.5		
	14	5.9	59.7	43.9	8.5	45.6	38.5	6.5	16	7.6	67.7	46.9	8.5	51.7	40.9	6.5		

(Y)HYB-4 (4-Row Coil) All capacities are based on nominal CFM

12YHYB-4 (1200)	6.5	5.2	39.3	29.5	12.1	30.0	25.8	9.2	7.5	6.7	45.0	31.7	12.0	34.4	57.6	9.2
	8.5	8.5	42.9	30.8	10.1	32.8	26.9	7.7	9.5	10.4	48.2	32.9	10.1	36.8	28.5	7.7
	11.5	14.7	45.9	32.0	8.0	35.1	27.8	6.1	13.0	18.4	51.0	34.0	8.0	39.0	29.4	6.0
16YHYB-4 (1600)	8.5	4.2	51.3	38.9	12.1	39.2	34.1	9.2	10.0	5.6	59.4	41.9	11.9	45.4	36.6	9.1
	11.5	7.3	57.0	41.1	9.9	43.5	35.9	7.6	13.0	9.1	64.3	43.9	9.9	49.1	38.1	7.6
	15.0	11.8	61.0	42.6	8.1	46.6	37.1	6.2	17.0	14.9	68.0	45.3	8.0	51.9	39.2	6.1
20YHYB-4 (2000)	10.5	4.6	62.8	48.1	12.0	48.0	42.3	9.1	12.0	5.9	72.1	51.7	12.0	55.1	45.1	9.2
	14.0	7.7	69.8	50.7	10.0	53.3	44.4	7.7	16.0	9.8	79.1	54.3	9.9	60.4	47.2	7.6
	19.0	13.4	75.7	53.0	8.0	57.8	46.1	6.1	21.0	16.0	84.1	56.3	8.0	64.3	48.7	6.1

(Y)HYB-6 (6-Row Coil) All capacities are based on nominal CFM

12YHYB-6 (1200)	8.0	10.2	48.0	33.0	12.0	36.7	28.6	9.2	9.0	12.6	54.1	35.4	12.0	41.3	30.5	9.2
	10.0	15.3	50.9	34.1	10.2	38.9	29.5	7.8	11.5	19.7	57.0	36.6	9.9	43.6	31.4	7.6
	13.0	24.6	53.3	35.1	8.2	40.7	30.3	6.3	14.5	30.1	59.0	37.4	8.1	45.1	32.1	6.2
16YHYB-6 (1600)	10.5	7.3	63.0	43.6	12.0	48.1	37.8	9.2	12.0	9.2	71.6	47.0	11.9	54.7	40.5	9.1
	13.5	11.4	67.7	45.0	10.0	51.7	39.3	7.7	15.0	13.8	75.6	48.6	10.1	57.7	41.8	7.7
	18.0	19.2	71.6	47.0	8.0	54.7	40.5	6.1	20.0	23.2	79.2	50.1	7.9	60.5	42.9	6.0
20YHYB-6 (2000)	13.0	9.1	77.5	54.0	11.9	59.2	46.9	9.1	14.5	11.1	87.5	58.0	12.1	66.8	50.0	9.2
	17.0	14.9	83.9	56.5	9.9	64.1	48.9	7.5	19.0	18.2	93.9	60.5	9.9	71.7	52.0	7.5
	22.0	23.8	88.6	58.4	8.1	67.6	50.4	6.1	24.5	29.0	98.1	62.3	8.0	74.9	53.4	6.1

TH - Total Heat

SH - Sensible Heat

TR - Temperature Rise

Product Specifications

 Lo Boy Horizontal
Hydronic Fan Coils

HEATING DATA

Y(P)HYB-3 (3-Row Coil / 2-Pipe)						
HEATING CAPACITY (1000 BTUH)						
MODEL CFM	GPM	P.D. (FT. WTR.)	ENTERING EATER TEMP.			
			180°F	160°F	140°F	120°F
12YHYB-3 (1200)	7	4.7	96	78	61	43
	10	9.0	100	82	63	45
	13	14.4	101	83	64	46
16YHYB-3 (1200)	10	4.5	129	105	82	59
	13	7.3	133	109	85	60
	15	9.5	135	110	86	61
20YHYB-3 (1200)	12	4.5	159	130	101	72
	16	7.6	165	135	105	75
	20	11.5	168	137	107	76

NOTES:

1. Ratings at 70 degree entering air temp.
2. Contact factory for capacities at other conditions

Y(P)HYB-1 (1-Row Coil / 4-Pipe)						
HEATING CAPACITY (1000 BTUH)						
MODEL CFM	GPM	P.D. (FT. WTR.)	ENTERING EATER TEMP.			
			180°F	160°F	140°F	120°F
12YHYB (1200)	1.0	1.8	30	24	19	14
	2.5	8.7	39	32	25	18
	4.0	19.8	42	34	27	19
16YHYB (1200)	1.0	2.5	38	31	24	17
	2.5	11.8	49	40	31	22
	4.0	26.1	54	44	34	24
20YHYB (1200)	1.0	3.1	45	37	29	20
	2.5	14.6	58	47	37	26
	4.0	32.4	65	53	41	30

NOTES:

1. Ratings at 70 degree entering air temp.
2. Contact factory for capacities at other conditions

Y(P)HYB-4 (4-Row Coil / 2-Pipe)						
HEATING CAPACITY (1000 BTUH)						
MODEL CFM	GPM	P.D. (FT. WTR.)	ENTERING EATER TEMP.			
			180°F	160°F	140°F	120°F
12YHYB-4 (1200)	6	4.5	107	88	68	49
	8	7.6	111	91	71	50
	10	15.9	115	94	73	52
16YHYB-4 (1200)	8	3.7	142	116	90	64
	12	7.9	150	123	95	68
	15	11.8	153	125	97	70
20YHYB-4 (1200)	10	4.2	176	144	112	80
	14	7.7	185	151	118	84
	18	12.2	190	155	121	86

NOTES:

1. Ratings at 70 degree entering air temp.
2. Contact factory for capacities at other conditions

HEATING CAPACITY (1000 BTUH)						
MODEL CFM	GPM	P.D. (FT. WTR.)	ENTERING EATER TEMP.			
			180°F	160°F	140°F	120°F
12YHYB (1200)	4	1.5	69	56	44	31
	8	5.2	77	63	49	35
	12	11.0	80	65	51	36
16YHYB (1200)	8	2.7	99	81	63	45
	12	5.5	105	86	67	48
	16	9.3	108	88	69	49
20YHYB (1200)	12	4.1	126	103	80	57
	16	6.7	131	107	83	60
	20	10.0	134	110	85	61

NOTES:

1. Ratings at 70 degree entering air temp.
2. Contact factory for capacities at other conditions

Y(P)HYB-6 (6-Row Coil / 2-Pipe)						
HEATING CAPACITY (1000 BTUH)						
MODEL CFM	GPM	P.D. (FT. WTR.)	ENTERING EATER TEMP.			
			180°F	160°F	140°F	120°F
12YHYB-6 (1200)	8	10.2	124	101	79	56
	10	15.3	127	104	81	58
	14	28.2	130	106	83	59
16YHYB-6 (1200)	10	6.7	165	135	105	75
	14	12.2	171	140	109	78
	18	19.2	174	142	111	79
20YHYB-6 (1200)	12	7.9	203	166	129	92
	17	14.9	212	173	135	96
	22	23.8	216	177	137	98

NOTES:

1. Ratings at 70 degree entering air temp.
2. Contact factory for capacities at other conditions

CFM FACTORS			
% NOMINAL CFM	TOTAL COOLING	SENSIBLE COOLING	HEATING
50	0.68	0.60	0.58
75	0.85	0.81	0.81
100	1.00	1.00	1.00
125	1.12	1.17	1.16
150	1.21	1.33	1.18

Product Specifications

 Lo Boy Horizontal
Hydronic Fan Coils

BLOWER DATA
YHYB BLOWER DATA (4-row coil)

CFM vs. EXTERNAL STATIC PRESSURE									
MODEL	HP	AMPS*	SPEED	EXTERNAL STATIC PRESSURE					
				0.10	0.20	0.30	0.40	0.50	0.60
12YHYB4	1/5	5.2	HIGH	1595	1510	1410	1310	1180	1010
			MED. HI	1310	1250	1190	1100	1000	850
			MED. LOW	1010	980	940	860	760	640
			LOW	690	640	580	510	440	340
16YHYB4	1/5	5.2	HIGH	1820	1740	1660	1560	1440	1300
			MED. HI	1420	1380	1320	1260	1160	1040
			MED. LOW	1060	1020	960	900	800	700
			LOW	720	660	580	500	400	260
20YHYB4	1/4	8.8	HIGH	2510	2400	2260	2120	1960	1760
			MED. HI	2040	2040	1960	1850	1720	1540
			MED. LOW	1580	1580	1540	1480	1380	1180
			LOW	1200	1190	1160	1100	1010	880

120V-1PH-60HZ

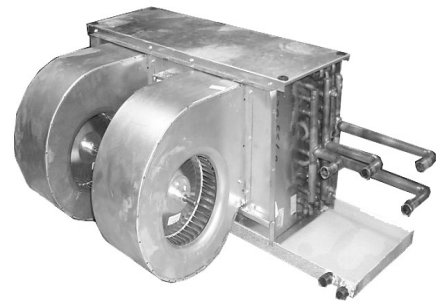
* Amps is total for (2) motors

3-row coil - add 0.05 to ESP shown

4-row coil - deduct 0.10 to ESP shown


FEATURES:

1. Manual air vents
2. 4-speed direct drive motors
3. 1/2" copper tubing
4. Primary and secondary condensate drains on one end
5. 120/1/60Hz. motors (2)
6. 3-row and 6-row models available
7. Rubber isolation grommets
8. Insulated and coated drain pan


YPHYB BLOWER DATA (4-row coil)

CFM vs. EXTERNAL STATIC PRESSURE									
MODEL	HP	AMPS*	SPEED	EXTERNAL STATIC PRESSURE					
				0.10	0.20	0.30	0.40	0.50	0.60
12YPHYB4	1/5	5.2	HIGH	1400	1320	1220	1110	980	820
			MED. HI	1220	1150	1080	980	860	710
			MED. LOW	980	930	860	790	680	560
			LOW	600	600	550	490	420	340
16YPHYB4	1/5	5.2	HIGH	1700	1620	1520	1420	1290	1130
			MED. HI	1370	1320	1260	1180	1060	910
			MED. LOW	1030	980	920	850	760	640
			LOW	690	630	560	480	380	230
20YPHYB4	1/4	8.8	HIGH	2160	2160	2020	1880	1720	1520
			MED. HI	2000	1900	1800	1680	1520	1310
			MED. LOW	1570	1520	1470	1380	1240	1000
			LOW	1170	1140	1100	1040	940	800

120V-1PH-60HZ

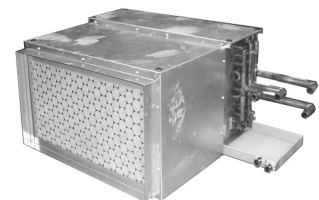
* Amps is total for (2) motors

3-row coil - add 0.05 to ESP shown

4-row coil - deduct 0.10 to ESP shown


FEATURES:

1. Manual air vents
2. 4-speed direct drive motors
3. 1/2" copper tubing
4. Primary and secondary condensate drains on one end
5. Return air plenum - field convertible from end return to bottom return
6. Throw away filter
7. 120/1/60Hz. motors (2)
8. 3-row and 6-row models available
9. Rubber isolation grommets
10. Insulated and coated drain pan



Product Specifications

 Lo Boy Horizontal
Hydronic Fan Coils

BLOWER DATA
YHYB BLOWER DATA (4-row coil)

CFM vs. EXTERNAL STATIC PRESSURE									
MODEL	HP	AMPS*	SPEED	EXTERNAL STATIC PRESSURE					
				0.10	0.20	0.30	0.40	0.50	0.60
12YHYB50-4	1/5	4.4	HIGH	1600	1540	1470	1410	1340	1250
			MED. HI	1280	1220	1170	1110	1040	970
			MED. LOW	1000	940	880	820	750	680
			LOW	670	610	540	470	400	320
16YHYB50-4	1/5	4.4	HIGH	1820	1770	1710	1650	1580	1480
			MED. HI	1350	1350	1300	1230	1150	1060
			MED. LOW	1040	1040	960	890	810	720
			LOW	640	640	550	460	360	260
20YHYB50-4	1/4	6.0	HIGH	2340	2340	2250	2150	2040	1920
			MED. HI	1830	1830	1760	1680	1580	1480
			MED. LOW	1500	1500	1440	1360	1260	1160
			LOW	1140	1140	1060	960	880	760

220V-1PH-50HZ

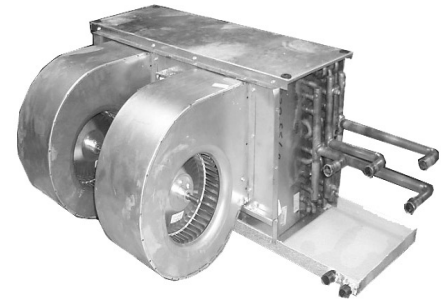
* Amps is total for (2) motors

3-row coil - add 0.05 to ESP shown

4-row coil - deduct 0.10 to ESP shown

FEATURES:

1. Manual air vents
2. 4-speed direct drive motors
3. 1/2" copper tubing
4. Primary and secondary condensate drains on one end
5. 220/1/50Hz. motors (2)
6. 3-row and 6-row models available
7. Rubber isolation grommets
8. Insulated and coated drain pan


YPHYB BLOWER DATA (4-row coil)

CFM vs. EXTERNAL STATIC PRESSURE									
MODEL	HP	AMPS*	SPEED	EXTERNAL STATIC PRESSURE					
				0.10	0.20	0.30	0.40	0.50	0.60
12YPHYB50-4	1/5	4.4	HIGH	1500	1440	1370	1300	1220	1130
			MED. HI	1230	1180	1120	1060	990	900
			MED. LOW	970	920	860	800	720	650
			LOW	650	580	520	450	390	320
16YPHYB50-4	1/5	4.4	HIGH	1730	1690	1610	1530	1440	1330
			MED. HI	1350	1300	1220	1150	1070	960
			MED. LOW	1050	990	920	850	770	670
			LOW	700	630	540	460	370	290
20YPHYB50-4	1/4	6.0	HIGH	2240	2140	2030	1930	1810	1680
			MED. HI	1830	1740	1650	1550	1430	1300
			MED. LOW	1530	1450	1370	1280	1180	1070
			LOW	1160	1080	990	900	800	680

220V-1PH-50HZ

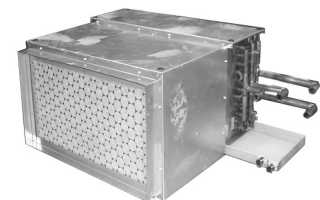
* Amps is total for (2) motors

3-row coil - add 0.05 to ESP shown

4-row coil - deduct 0.10 to ESP shown

FEATURES:

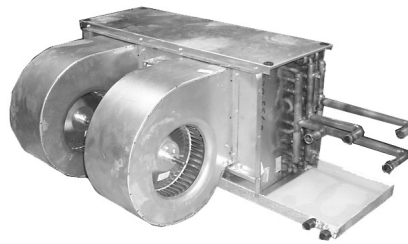
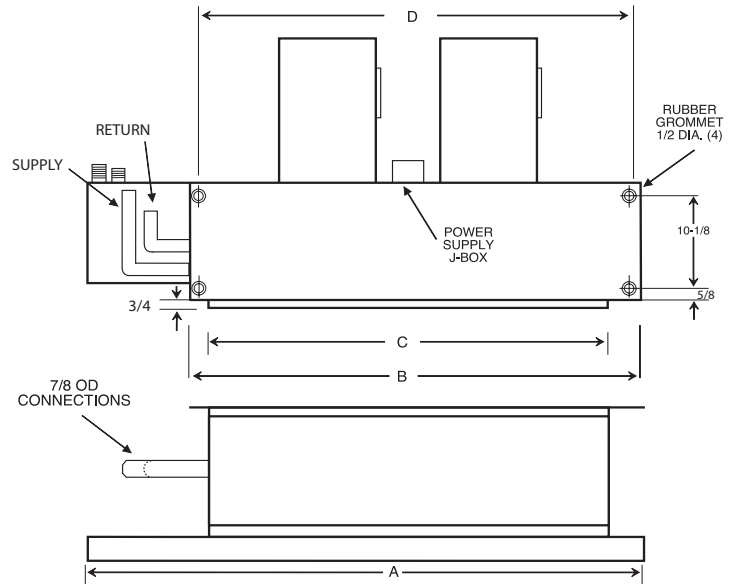
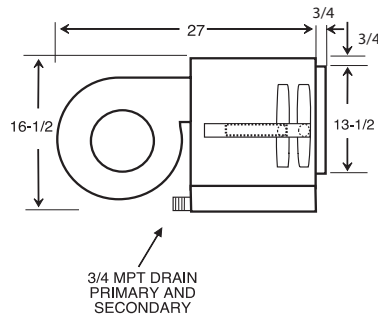
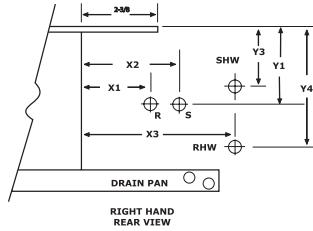
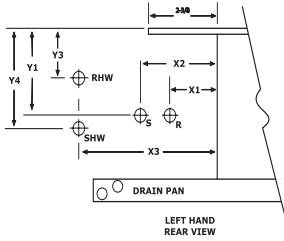
1. Manual air vents
2. 4-speed direct drive motors
3. 1/2" copper tubing
4. Primary and secondary condensate drains on one end
5. Return air plenum - field convertible from end return to bottom return
6. Throw away filter
7. 220/1/50Hz. motors (2)
8. 3-row and 6-row models available
9. Rubber isolation grommets
10. Insulated and coated drain pan



Product Specifications

Lo Boy Horizontal
Hydronic Fan Coils

YHYB DATA



NOTES:

- 1) ALL DIMENSIONS IN INCHES.
- 2) COIL CONNECTION TOLERANCE $\pm 1/4"$.
- 3) RIGHT HAND UNIT SHOWN, LEFT HAND MIRROR IMAGE.

1. Manual air vents
2. 4-speed direct drive motors
3. 1/2" copper tubing
4. Primary and secondary condensate drains on one end
5. 3-row and 6-row models available
6. Rubber isolation grommets
7. Insulated and coated drain pan

GENERAL DIMENSIONS				
MODEL	A	B	C	D
12YHYB	41	32-1/2	28	31-1/4
16YHYB	51	42-1/2	38	41-1/4
20YHYB	60	51-1/2	47	50-1/4

SHIPPING WEIGHTS	
MODEL	WEIGHT (lbs.)
12YHYB	105
16YHYB	150
20YHYB	160

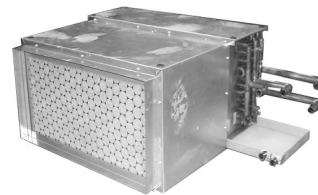
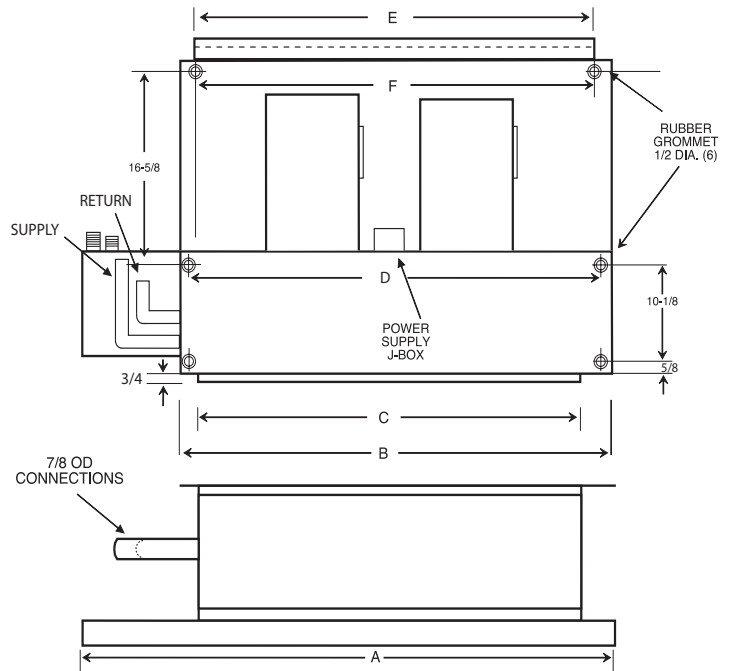
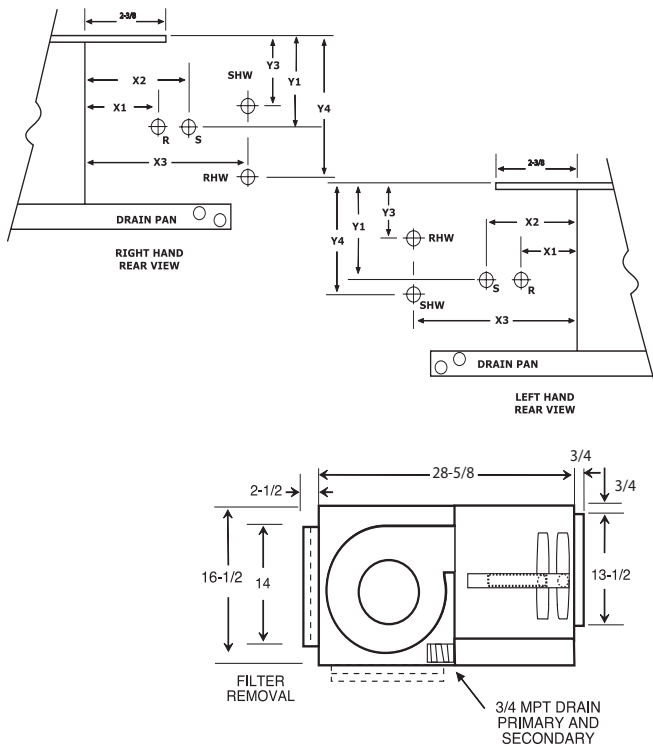
YHYB PIPE LOCATIONS						
RIGHT HAND	X1	Y1	X2	X3	Y3	Y4
3 ROW	5-1/4	7-9/16	8-1/4	---	---	---
4 ROW	5-1/4	7-9/16	8-1/4	---	---	---
6 ROW	5-1/4	7-9/16	8-1/4	---	---	---
3/1 ROW	5-1/4	7-9/16	8-1/4	13-1/4	5-7/16	9-11/16
3/2 ROW	5-1/4	7-9/16	8-1/4	13-1/4	6-1/16	9-1/16
4/1 ROW	5-1/4	7-9/16	8-1/4	13-1/4	6-1/16	9-1/16
4/2 ROW	5-1/4	7-9/16	8-1/4	13-1/4	6-1/16	9-1/16

YHYB PIPE LOCATIONS						
LEFT HAND	X1	Y1	X2	X3	Y3	Y4
3 ROW	5-1/4	7-9/16	8-1/4	---	---	---
4 ROW	5-1/4	7-9/16	8-1/4	---	---	---
6 ROW	5-1/4	7-9/16	8-1/4	---	---	---
3/1 ROW	5-1/4	7-9/16	8-1/4	13-1/4	5-7/16	8-7/16
3/2 ROW	5-1/4	7-9/16	8-1/4	13-1/4	6-1/16	9-1/16
4/1 ROW	5-1/4	7-9/16	8-1/4	13-1/4	6-1/16	9-1/16
4/2 ROW	5-1/4	7-9/16	8-1/4	13-1/4	6-1/16	9-1/16

Product Specifications

Lo Boy Horizontal
Hydronic Fan Coils

YPHYB DATA



NOTES:

- 1) ALL DIMENSIONS IN INCHES.
- 2) COIL CONNECTION TOLERANCE $\pm 1/4"$.
- 3) RIGHT HAND UNIT SHOWN, LEFT HAND MIRROR IMAGE.

1. Manual air vents
2. 4-speed direct drive motors
3. 1/2" copper tubing
4. Primary and secondary condensate drains on one end
5. Return air plenum - field convertible from end return to bottom return
6. Throwaway filter
7. 3-row and 6-row models available
8. Rubber isolation grommets
9. Insulated and coated drain pan

GENERAL DIMENSIONS							
MODEL	A	B	C	D	E	F	FILTER SIZE
12YPHYB	41	32-1/2	28	31-1/4	28-1/4	28	14 x 28 x 1
16YPHYB	51	42-1/2	38	41-1/4	38-1/4	38	14 x 38 x 1
20YPHYB	60	51-1/2	47	50-1/4	47-1/4	47	14 x 47 x 1

SHIPPING WEIGHT	
MODEL	WEIGHT
12APYHB	125
16YPHYB	170
20YPHYB	180

YPHYB PIPE LOCATIONS						
RIGHT HAND	X1	Y1	X2	X3	Y3	Y4
3 ROW	5-1/4	7-9/16	8-1/4	---	---	---
4 ROW	5-1/4	7-9/16	8-1/4	---	---	---
6 ROW	5-1/4	7-9/16	8-1/4	---	---	---
3/1 ROW	5-1/4	7-9/16	8-1/4	13-1/4	5-7/16	9-11/16
3/2 ROW	5-1/4	7-9/16	8-1/4	13-1/4	6-1/16	9-1/16
4/1 ROW	5-1/4	7-9/16	8-1/4	13-1/4	6-1/16	9-1/16
4/2 ROW	5-1/4	7-9/16	8-1/4	13-1/4	6-1/16	9-1/16

YPHYB PIPE LOCATIONS						
LEFT HAND	X1	Y1	X2	X3	Y3	Y4
3 ROW	5-1/4	7-9/16	8-1/4	---	---	---
4 ROW	5-1/4	7-9/16	8-1/4	---	---	---
6 ROW	5-1/4	7-9/16	8-1/4	---	---	---
3/1 ROW	5-1/4	7-9/16	8-1/4	13-1/4	5-7/16	8-7/16
3/2 ROW	5-1/4	7-9/16	8-1/4	13-1/4	6-1/16	9-1/16
4/1 ROW	5-1/4	7-9/16	8-1/4	13-1/4	6-1/16	9-1/16
4/2 ROW	5-1/4	7-9/16	8-1/4	13-1/4	6-1/16	9-1/16

The “Autospeed 24V™” Control Package

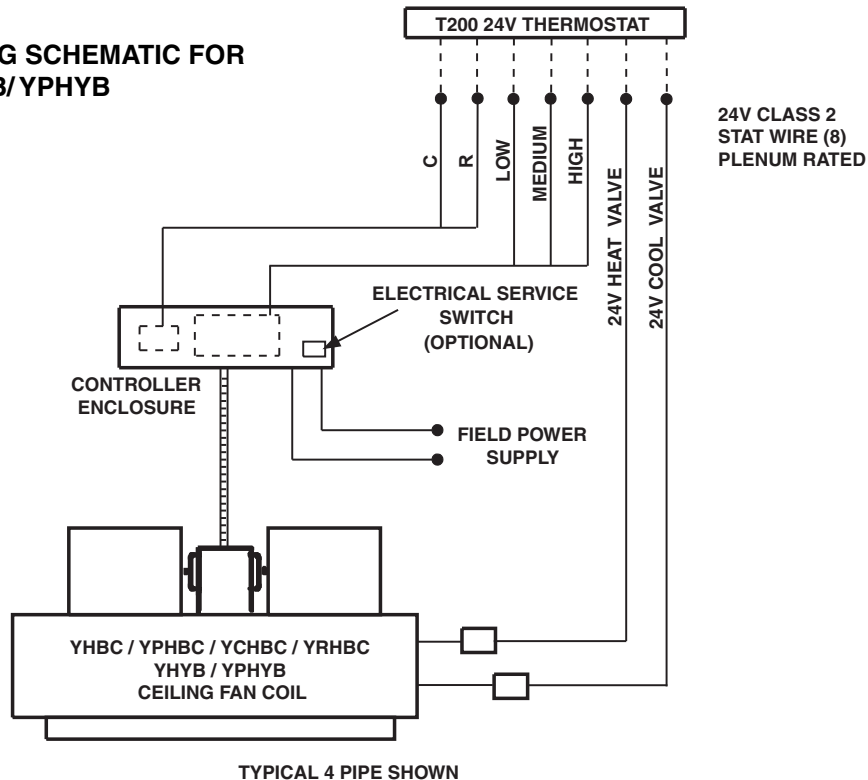
All YHBC/YPHBC/YRHBC/YCHBC fan coils are now available with the “Autospeed 24V™” control package option.

The new **Autospeed 24V™** thermostat (part #'s **T200** and **T201**) provides 24V AC single stage temperature control of 2 pipe and 4 pipe fan coil applications. The **T200/T201** thermostat offers maximum comfort and efficiency by automatically selecting the appropriate High, Medium, or Low fan speed, depending on room temperature and thermostat temperature setting. This automatic fan speed control not only brings the room temperature to the desired set point quickly, it maintains the room temperature with the most efficient fan speed selection. Once the desired room temperature is achieved the fan coil operates on low speed for extremely quiet operation.

The fan coil **control board** is a circuit board that provides control of a 3-speed line voltage (120, 208-240, or 277V), (50 or 60 cycle) fan motor. The control board allows the thermostat to control the fan motor even though, by itself, the thermostat does not have the current or voltage rating capability to control the fan motor.

With the “Autospeed 24V™” option, a “Controller Enclosure” is factory installed on each fan coil, which includes the control board, transformer, and service switch. Controller enclosure for 120V line (supply) voltage applications is part # **943-1D**. Contact the factory for controllers for other line voltages.

**TYPICAL WIRING SCHEMATIC FOR
YHYB/YPHYB**



GUIDE SPECIFICATIONS

Contractor shall furnish and install high quality air handling units as indicated on plans. Sizes and capacities shall be shown in the Unit Schedule included on the drawings. All units shall be the products of Airside Products (ASP) series fan coils and listed by UL or ETLC (listed in accordance with UL 1995.) Units shall be designed, tested and manufactured in accordance with ARI-410, 430, 440 and 350.

Cabinets shall be fabricated of lock forming quality (min) steel. External and internal parts are to be made with heavy gauge galvanized steel. Large access panels shall be provided to permit full access to internal components. The structural integrity of the cabinets shall remain unaffected by the removal of any or all access panels.

Insulation shall be blanket-type made from glass fibers bonded with a thermosetting resin. Insulation shall be one and-one-half pound density providing effective acoustical and thermal control, fire safety, and resistance to air erosion. This insulation must meet the requirements of ASTM C 1071, ASTM G 21, ASTM G22, NFPA 90A and UL-181.

Coils shall be of the staggered tube type constructed with seamless copper tubes and headers, and deep corrugated aluminum fins with straight edges. Manufacturer shall supply full depth collars, drawn in the fin stock to provide accurate control of fin spacing and completely cover the copper tubes to lengthen coil life. The tubes are to be mechanically expanded into the fins for a permanent primary to secondary surface bond, assuring maximum heat transfer efficiency. The coils are to be tested at 350 PSI for operation at 300 PSI gauge. The coils provided shall be suitable for the application and comply with the required performance as described in the Unit Schedule.

Drain pans shall be positive drainage and shall be fabricated of heavy gauge galvanized steel or optional 304 stainless steel and coated for corrosion protection.

Fan Wheels shall be double width, double inlet, forward curved, centrifugal type. They shall be statically and dynamically balanced for smooth, quiet operation. The housing shall be constructed of heavy gauge steel with die-formed inlet cones.

Motors (Direct Drive)

Standard motors are PSC, permanently lubricated type with internal thermal overload protection and are mounted with rubber isolation bushings. Blower wheels are DWDI (double width, double inlet) centrifugal, forward curved, and dynamically balanced.

Filters are to be disposable type. They shall be center loading with an 85% arrestance efficiency. The filters shall be included in the units as an integral part of the cabinet with easy access provided by the manufacturer.

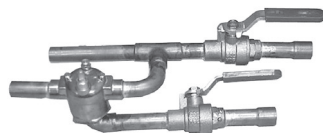
Product Specifications

 Lo Boy Horizontal
Hydronic Fan Coils

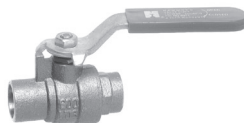
VALVE CLUSTERS
VALVE CLUSTERS AND INDIVIDUAL COMPONENTS: (field installed)

Assembled Valve Clusters: (factory-assembled and field installed) Components are factory piped together (**order power heads separately**). Contact factory for other valve clusters.

	Right Hand	Left Hand	Description (all 3/4") - For YHYB, YPHYB
2 pipe	9VBR2BV	9VBL2BV	2-pipe, 2 hand valves only
	9VBR2BC	9VBL2BC	2-pipe, 1 hand valve and circuit setter
	9VBR22B	9VBL22B	2-pipe, one 2-way valve body and 2 hand valves
	9VBR22C	9VBL22C	2-pipe, one 2-way valve body, 1 hand valve and circuit setter
	9VBR23B	9VBL23B	2-pipe, one 3-way valve body and 2 hand valves
	9VBR23D	9VBL23D	2-pipe, one 3-way valve body, 2 hand valves and aquastat
	9VBR23C	9VBL23C	2-pipe, one 3-way valve body, 1 hand valve and circuit setter
	9VBR23BC	9VBL23BC	2-pipe, one 3-way valve body and 3 hand valves
	9VBR23DC	9VBL23DC	2-pipe, one 3-way valve body, 3 hand valves and aquastat
	4 pipe	9VBR4BV	9VBL4BV
9VBR42B		9VBL42B	4-pipe, two 2-way valve bodies and 4 hand valves
9VBL42C		9VBL42C	4-pipe, two 2-way valve bodies, 2 hand valves and 2 circuit setters
9VBR43B		9VBL43B	4-pipe, two 3-way valve bodies and 4 hand valves
9VBR43BC		9VBL43BC	4-pipe, two 3-way valve bodies and 6 hand valves
Power Heads: (two power heads required for 4-pipe) - For all units			
E50131180		24V	
E50132180		110V/50Hz - 120V/60 Hz	
E50137180		277V	
E50138180		220V/50 Hz – 230V/60 Hz	
Separate Valve Bodies: (order power heads separately)			
E421317	3/4" 2-way - For YHYB, YPHYB		
E431317	3/4" 3-way - For YHYB, YPHYB		
Hand Valves: (Combination balance / shut-off) (2 usually req'd per coil)			
CP90	3/4"		
Circuit setters and Strainers			
CP6011	3/4" Circuit setter (Taco)		
CP6031	3/4" Strainer (Kitz)		
945-8	Disconnect (120V)		



Assembled Valve Cluster (3-way)



CP90

Power Head



Valve Body

